

# Riviera / FVS-1005

## Single Lever Vessel Bathroom Faucet

Chrome / Oil Rubbed Bronze / Satin Nickel Finishes

# Kräus<sup>®</sup>

SPECIFICATION SHEET

### Material

Body: Brass  
Handle: Zinc  
Waterway: Brass

### Faucet Type

Vessel

### Cartridge

Brand: Kerox  
Size: 35mm  
Style: Lever

### Mounting

Holes: 1 Hole  
Type: Brass Nut

### Aerator

Brand: Neoperl/1.2GPM  
Name: Perlator Honeycomb  
Flow Rate: 1.2gpm (4.5L/min) @ 60 psi

### Dimensions

Faucet Dimensions: 13" x 5 1/2" x 6 1/4"

### Accessories Included

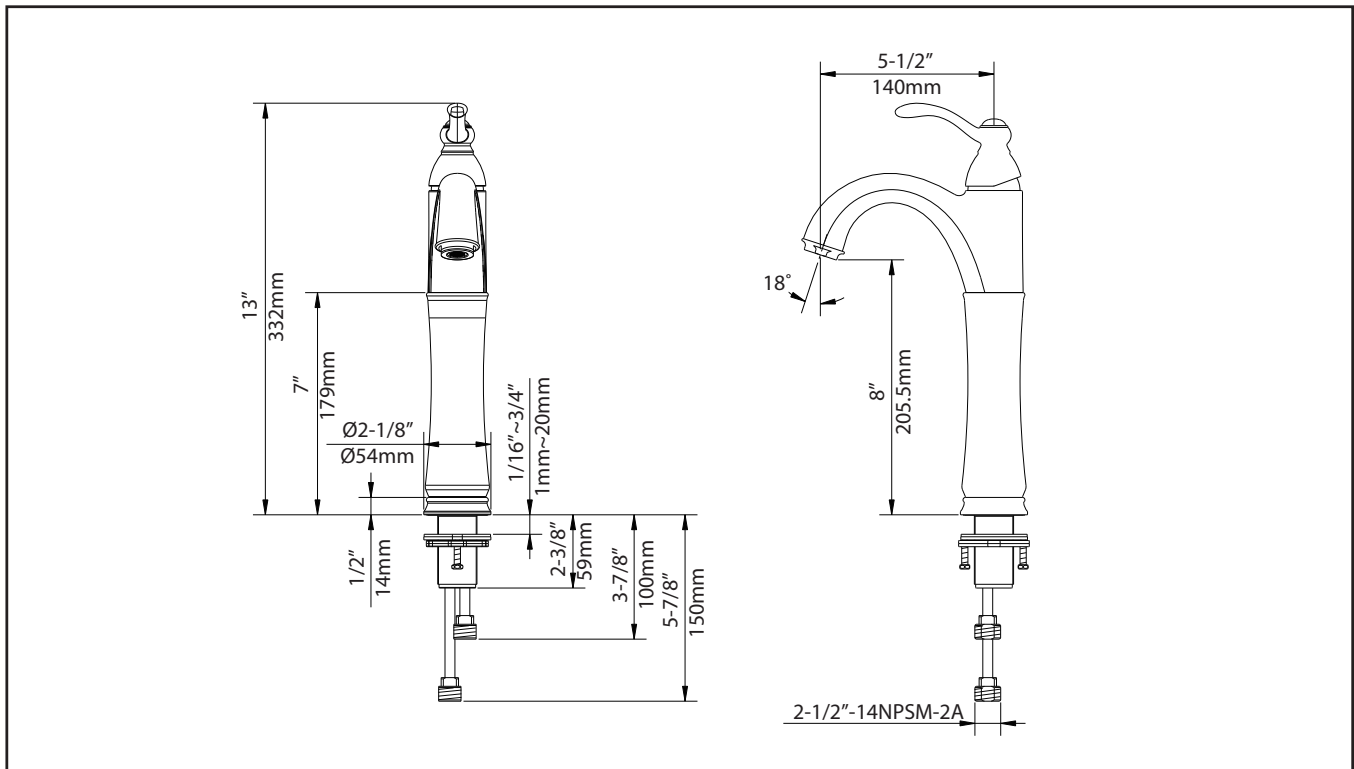
Hex Wrench, Deck Plate

### Optional Accessories

PU-10, PU-15  
PU-12

Kraus Limited Lifetime Warranty: See website for details [www.kraususa.com](http://www.kraususa.com)

1.800.775.0703 / [customerservice@kraususa.com](mailto:customerservice@kraususa.com)



Codes/Standards: Meets ASME A112.18.1/CSA B125.1, NSF/ANSI Standard 61 certified by IAPMO, NSF/ANSI Standard 372 certified by IAPMO, CAL GREEN, EPA, DOE, CEC, ADA

REV. December 8, 2016